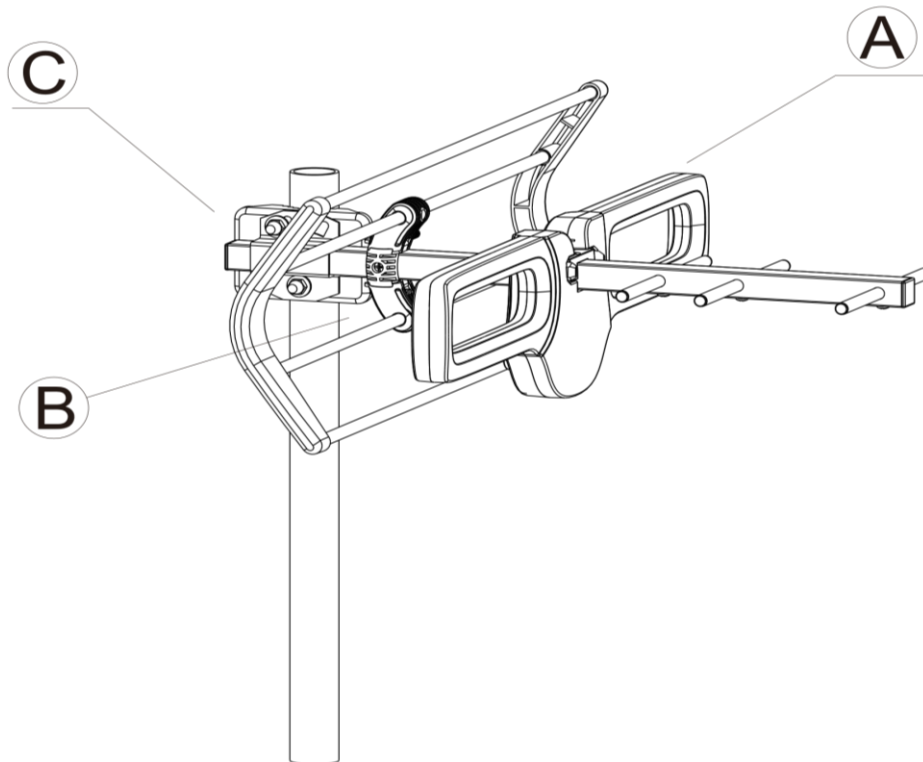


TV Antenna UHF

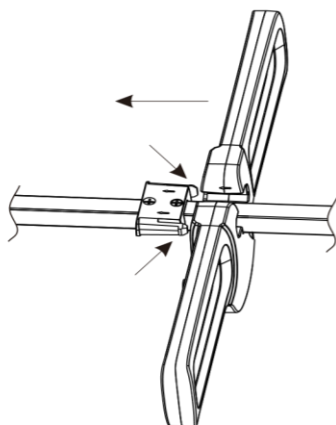
- Channels: 21- 48
- Frequency Range: 470 - 698 MHz
- Impedance: 75 Ω
- No. of Elements: 5
- Antenna Gain: 6–9 dB
- Connection Type F
- Front - Back Ratio: 8 - 13dB
- Beam width H/V: H50°/V60°
- Antenna Length: 430mm
- Connection Type F



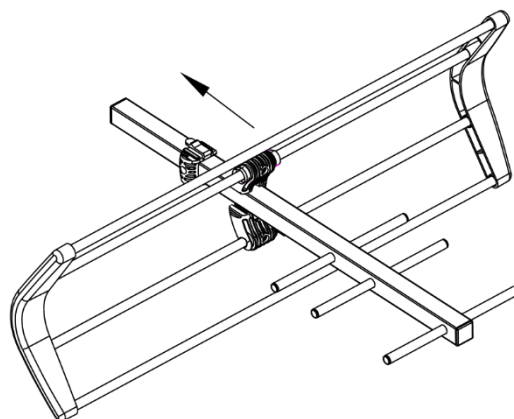
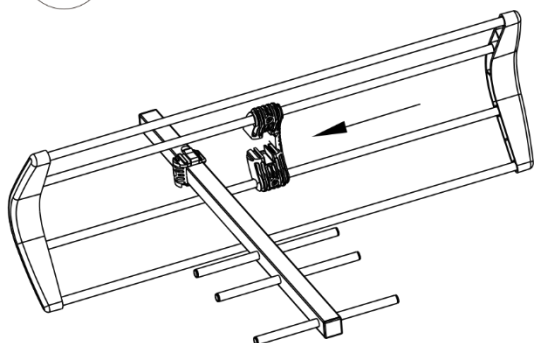
Antenna Installation



A



B



C

